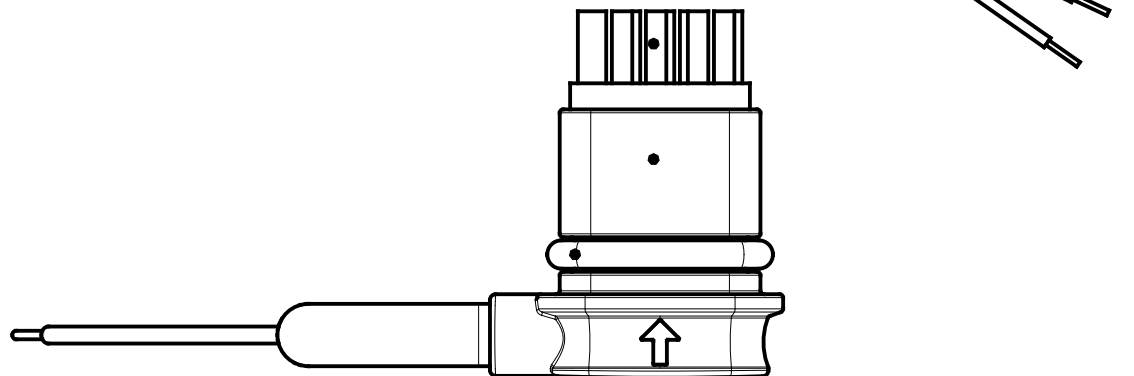
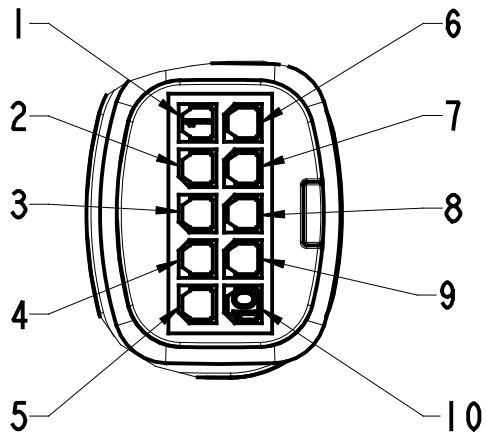


Print on cable starts here

120±10



Circuit diagram

J1	AWG	Color
1	AWG 24	Black
2	AWG 24	Red
3	AWG 20	Brown
4	AWG 24	Green
5	N/C	N/C
6	AWG 24	Violet
7	AWG 24	White
8	AWG 20	Blue
9	AWG 24	Yellow
10	N/C	N/C