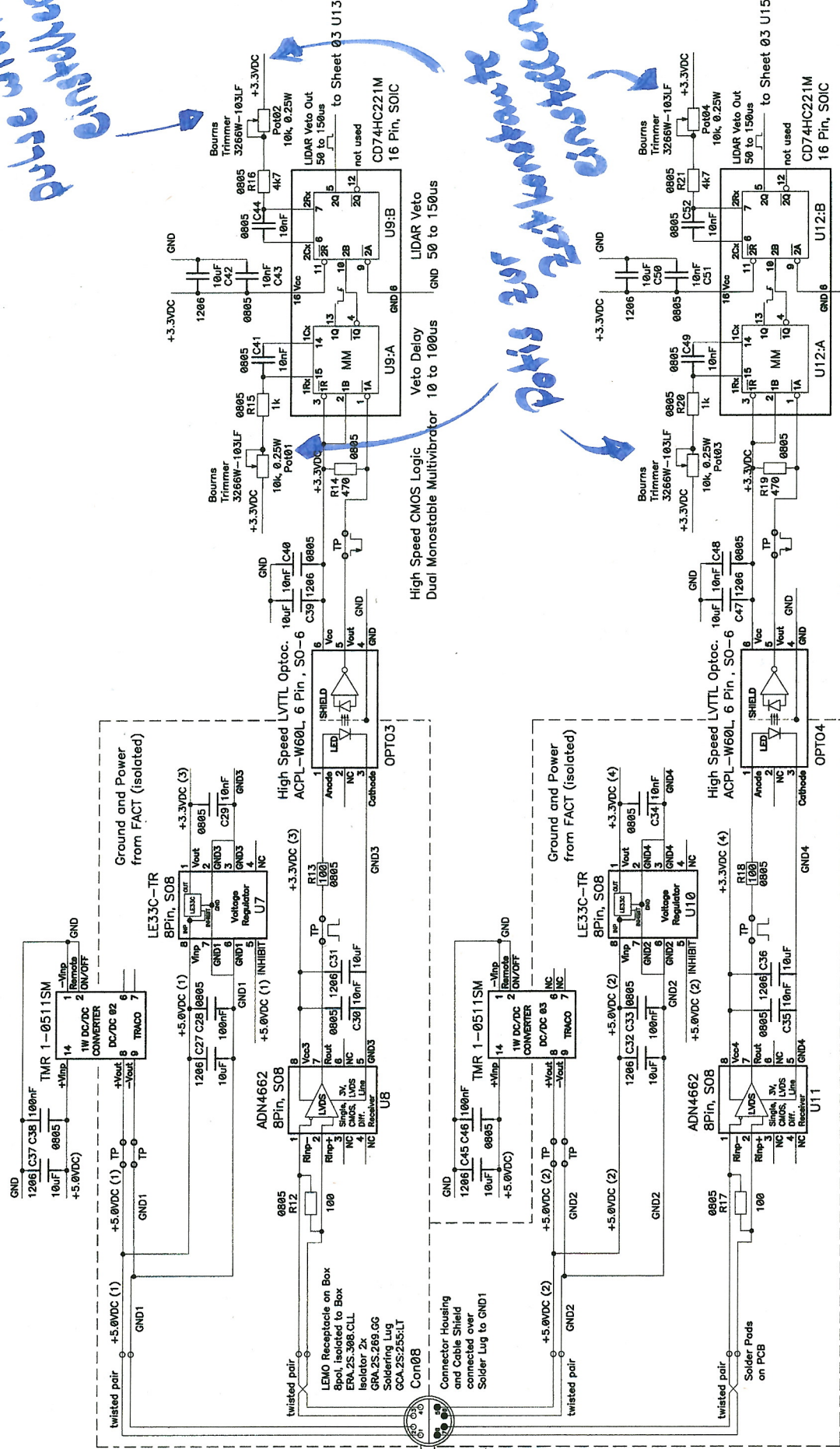


# FACT: LIDAR Veto (Part 02.1: Box in FACT Barrack)



*Handwritten note:* Auf dem Chip

*Handwritten note:* Potis zur 25A Konstante

*Handwritten note:* auf ~40 Grad

*Handwritten note:* langes Kabel

- LEMO Plug on Cable, FFA.25.110.CZZ
- Shielded, 4x2 (twisted pairs), AWG22, 0.34mm
- AT-FR7890K54
- Length: 80m

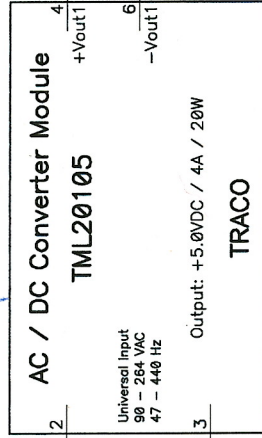
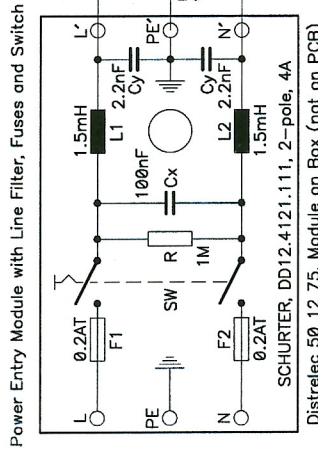
- SAB SD 200 C TP
- Continuous Flex Cable
- Shielded, 4x2 (twisted pairs), AWG22, 0.34mm
- AT-FR7890K54
- Length: 80m

Size	Number	FACT_LIDAR Veto	Rev
A3	(Part 02: Box in FACT Barrack)		
Date	27.January 2014	Drawn by	HPG
Filename	FACT_LIDAR Veto	Sheet	02 of 03



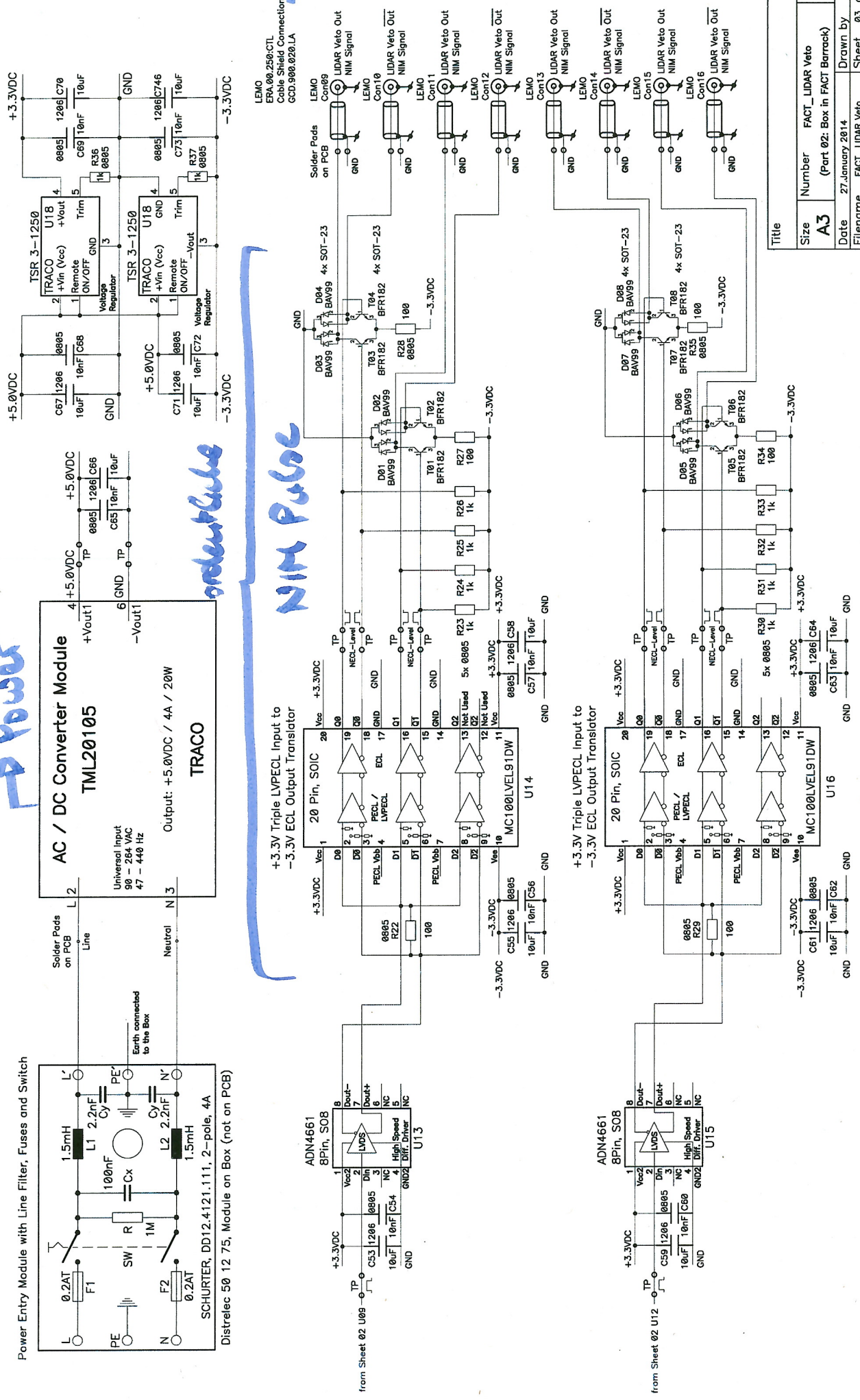
# FACT: LIDAR Veto (Part 02.2: Box in FACT Barrack)

Power



NIM Pulse

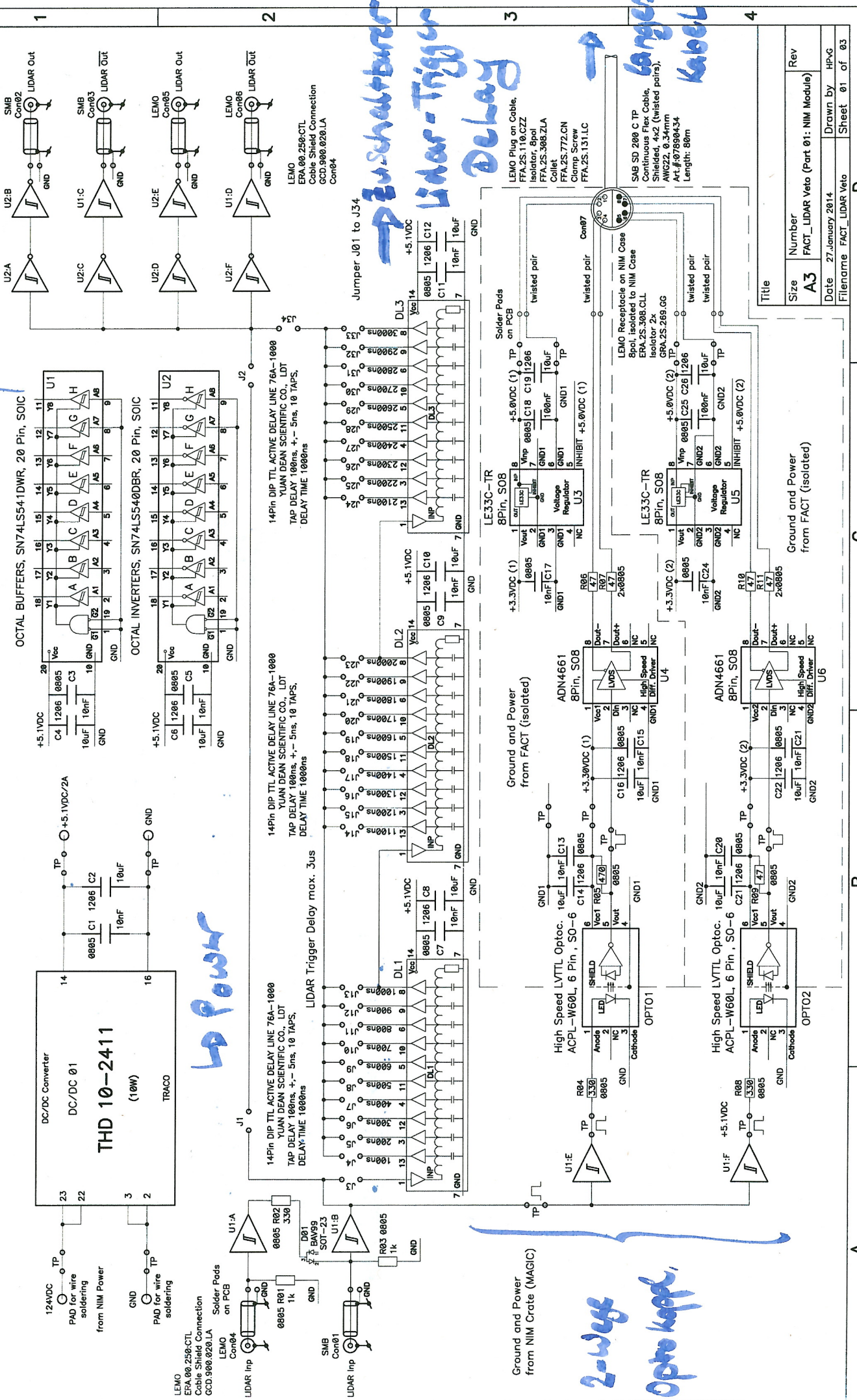
2V2  
Teltek



Title	FACT_LIDAR Veto	
Size	A3	Rev
Date	27 January 2014	Drawn by
Filename	FACT_LIDAR Veto	Sheet
		03 of 03



# FACT: LIDAR Veto (Part 01: NIM Module)



Title	FACT_LIDAR Veto
Size	A3
Number	FACT_LIDAR Veto (Part 01: NIM Module)
Date	27 January 2014
Filename	FACT_LIDAR Veto
Rev	01
HPWG	03