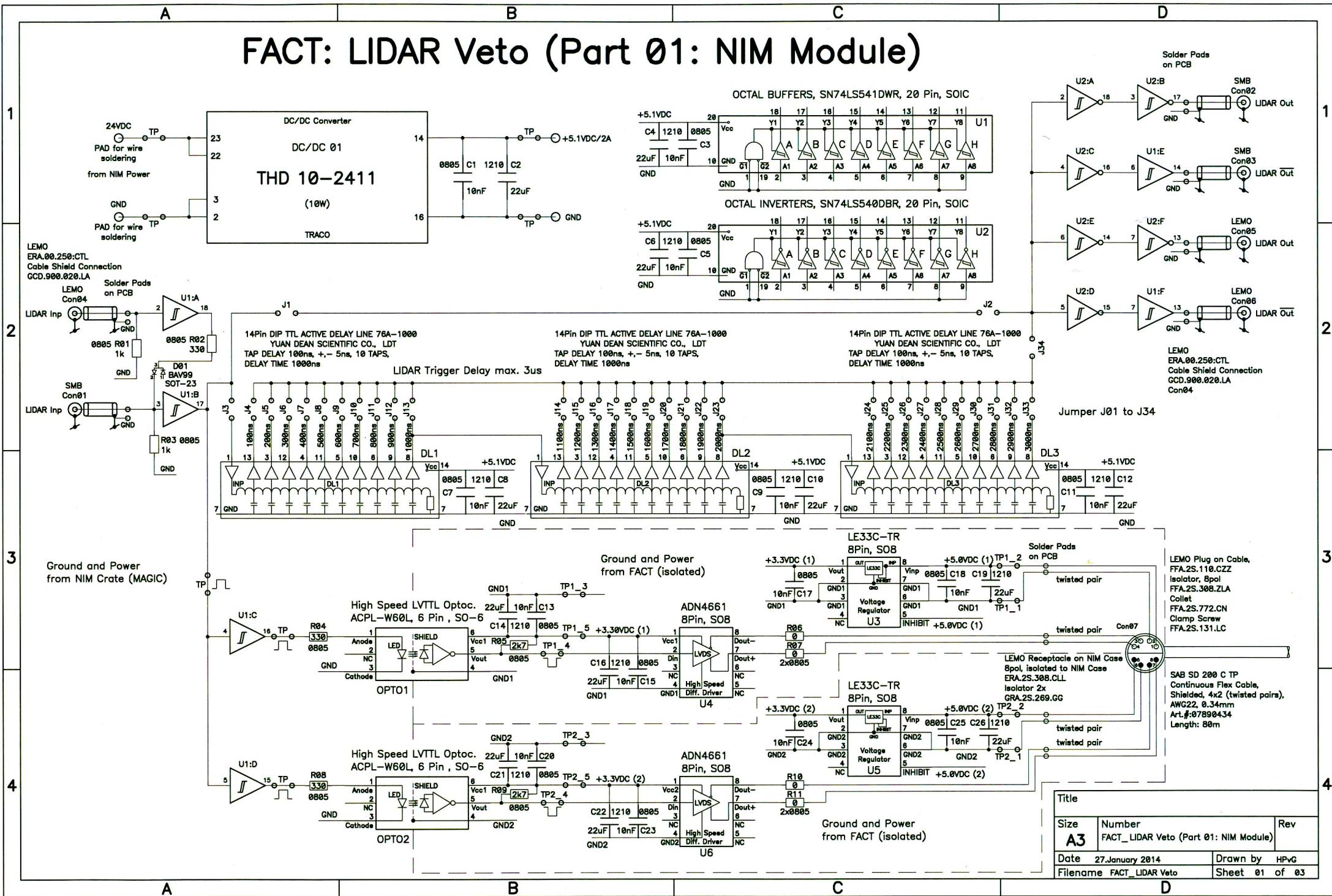
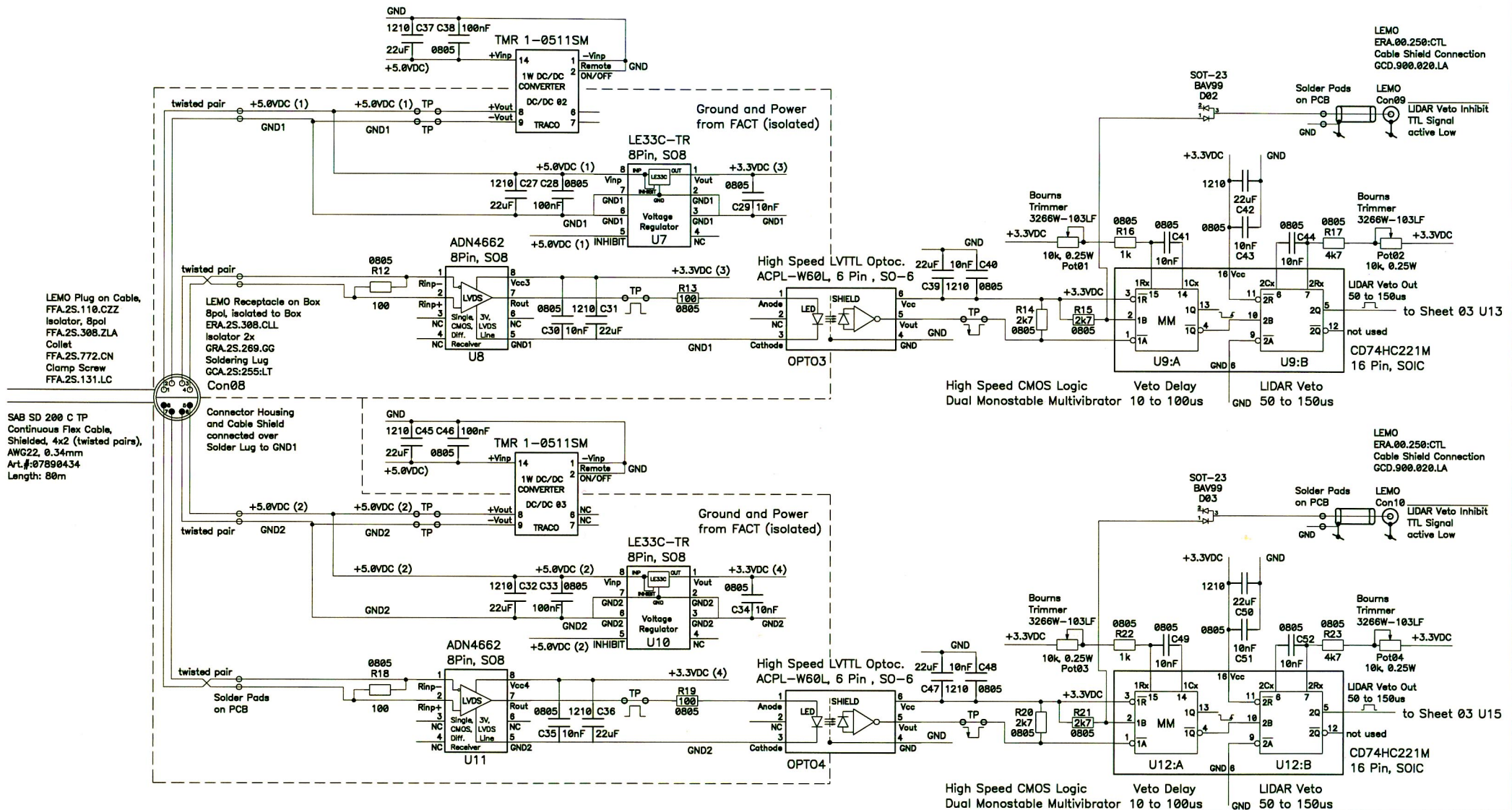


FACT: LIDAR Veto (Part 01: NIM Module)



Title		
Size	Number	Rev
A3	FACT_LIDAR Veto (Part 01: NIM Module)	
Date	27 January 2014	Drawn by HPvG
Filename	FACT_LIDAR Veto	Sheet 01 of 03

FACT: LIDAR Veto (Part 02.1: Box in FACT Barrack)



LEMO Plug on Cable, FFA.2S.110.CZZ Isolator, 8pol FFA.2S.308.ZLA Collet FFA.2S.772.CN Clamp Screw FFA.2S.131.LC

SAB SD 200 C TP Continuous Flex Cable, Shielded, 4x2 (twisted pairs), AWG22, 0.34mm Art.#:07890434 Length: 80m

Connector Housing and Cable Shield connected over Solder Lug to GND1

LEMO Receptacle on Box 8pol, isolated to Box ERA.2S.308.CLL Isolator, 8pol GRA.2S.269.GG Soldering Lug GCA.2S.255.LT Con08

LEMO ERA.00.250:CTL Cable Shield Connection GCD.900.020.LA

Solder Pads on PCB LEMO Con09 LIDAR Veto Inhibit TTL Signal active Low

LEMO ERA.00.250:CTL Cable Shield Connection GCD.900.020.LA

Solder Pads on PCB LEMO Con10 LIDAR Veto Inhibit TTL Signal active Low

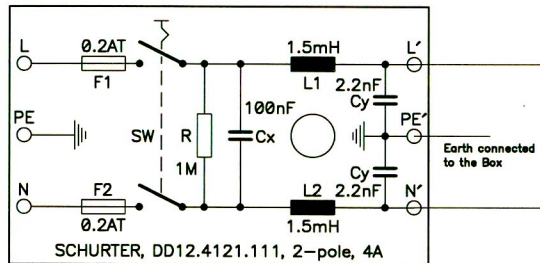
SOT-23 BAV99 D02

SOT-23 BAV99 D03

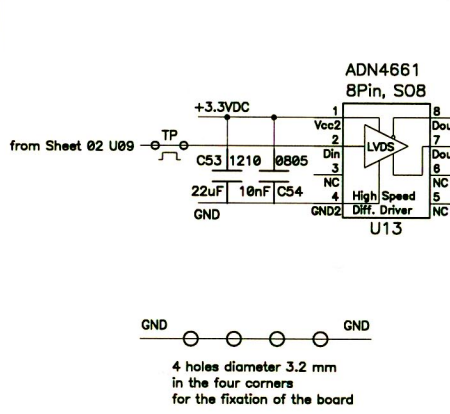
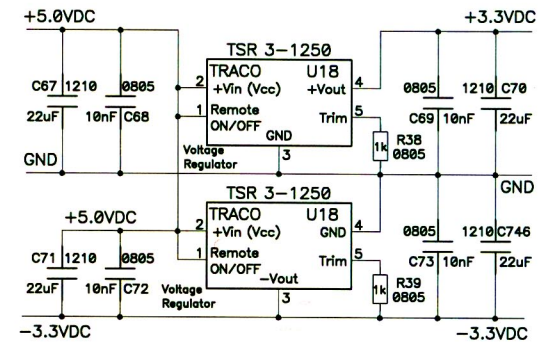
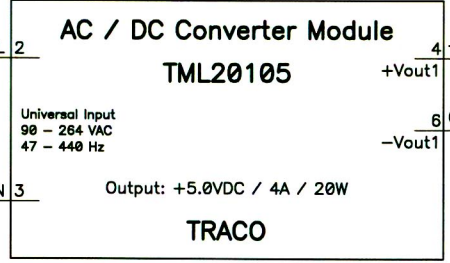
Title			
Size	Number	FACT_LIDAR Veto	Rev
(Part 02: Box in FACT Barrack)			
Date	27.January 2014	Drawn by	HPvG
Filename	FACT_LIDAR Veto	Sheet	02 of 03

FACT: LIDAR Veto (Part 02.2: Box in FACT Barrack)

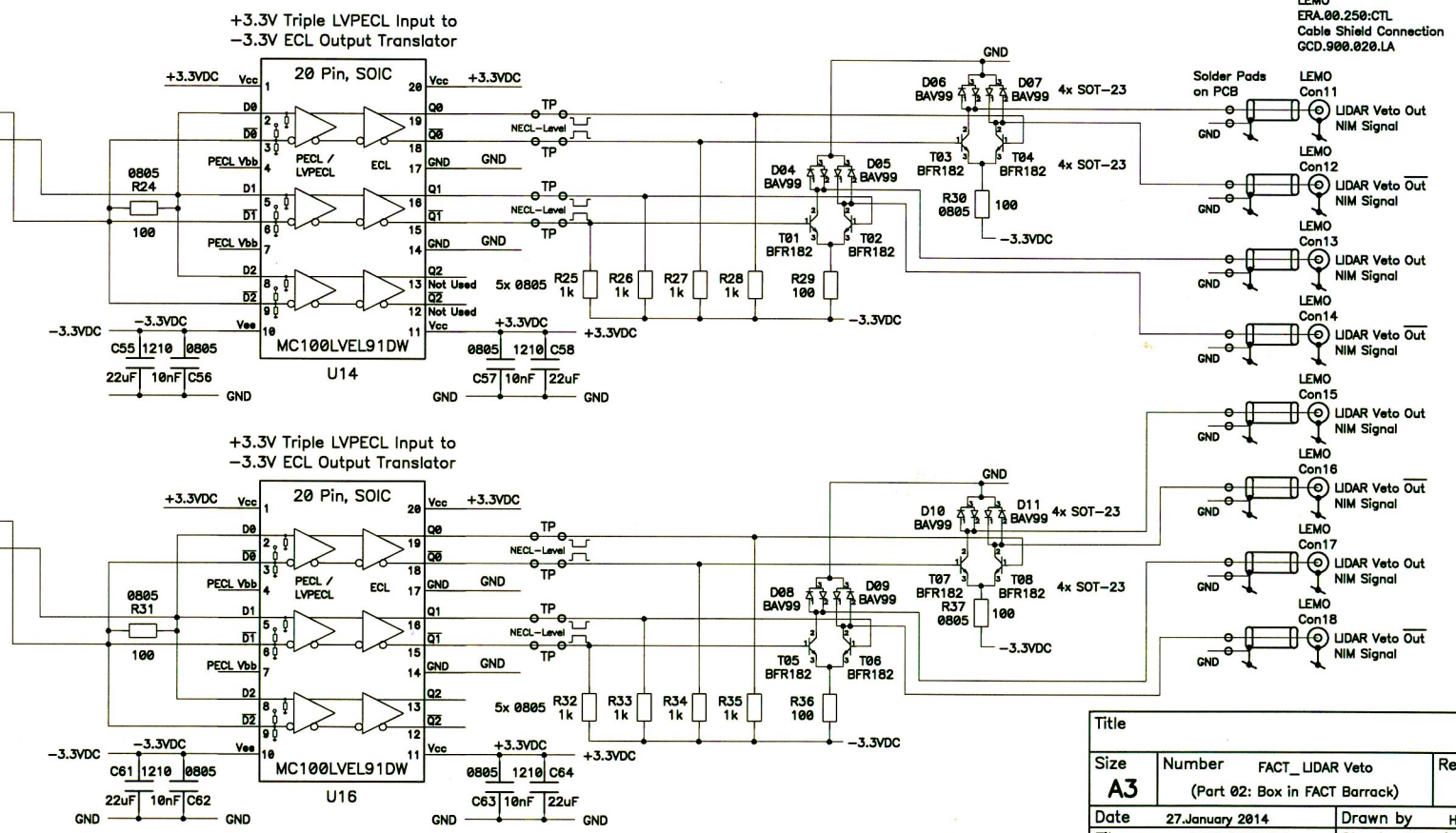
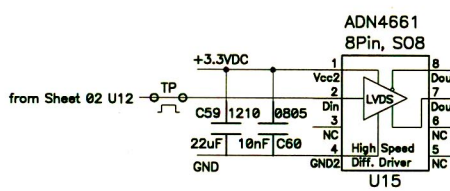
Power Entry Module with Line Filter, Fuses and Switch



SCHURTER, DD12.4121.111, 2-pole, 4A
Distrelec 50 12 75, Module on Box (not on PCB)



4 holes diameter 3.2 mm
in the four corners
for the fixation of the board



Title			
Size	Number	FACT_LIDAR Veto	Rev
A3		(Part 02: Box in FACT Barrack)	
Date	27.January 2014	Drawn by	HPVg
Filename	FACT_LIDAR Veto	Sheet	03 of 03